

Wippschalter

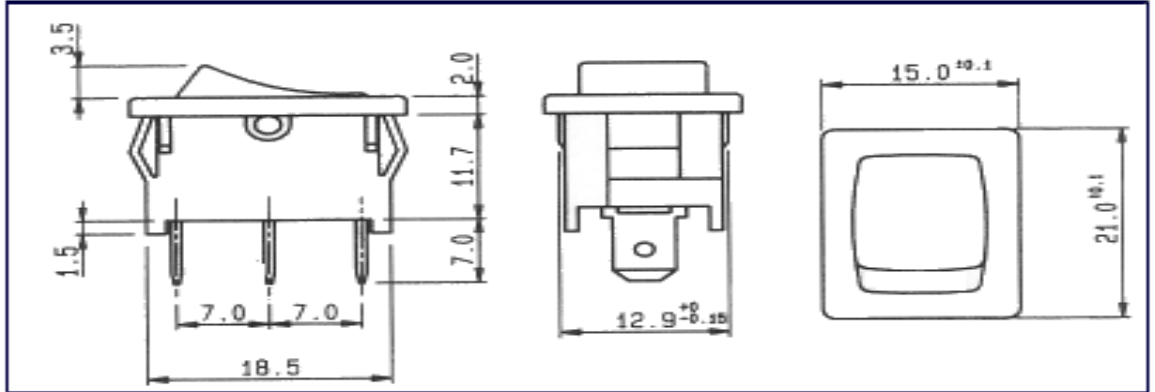
Typ IA

◀VDE▶

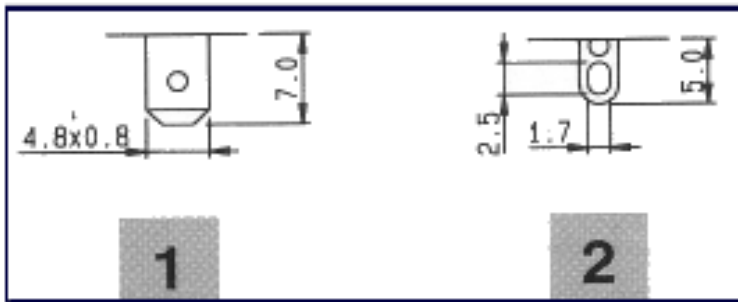
IA1 6A 250VAC μ T85 1E4 6(2) A
 250VAC T125 10A 125VAC
 IA1 12(4) A250VAC; 6(4)A 250VAC
 5E4 16A 125V/10A 250VAC1/3HP
 125—250VAC T105



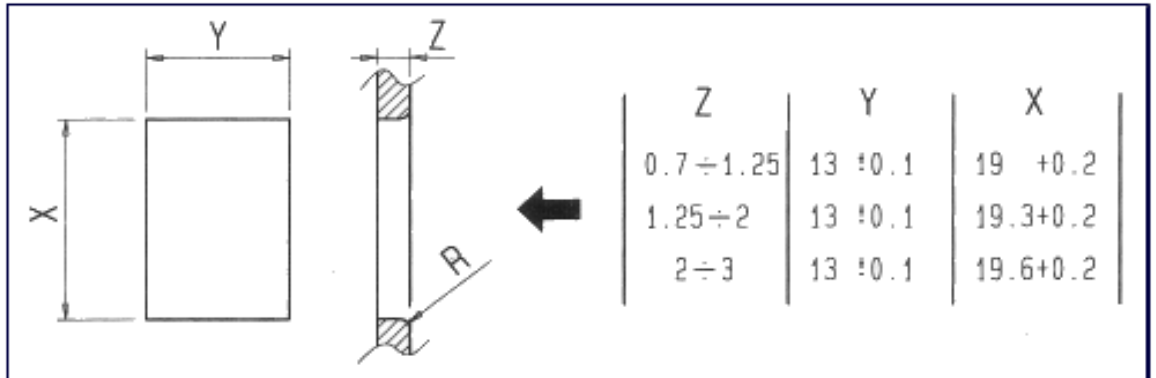
PLANO



TERMINALES



TALADRO



CIRCUITOS



CIRCUITOS



Wippschalter

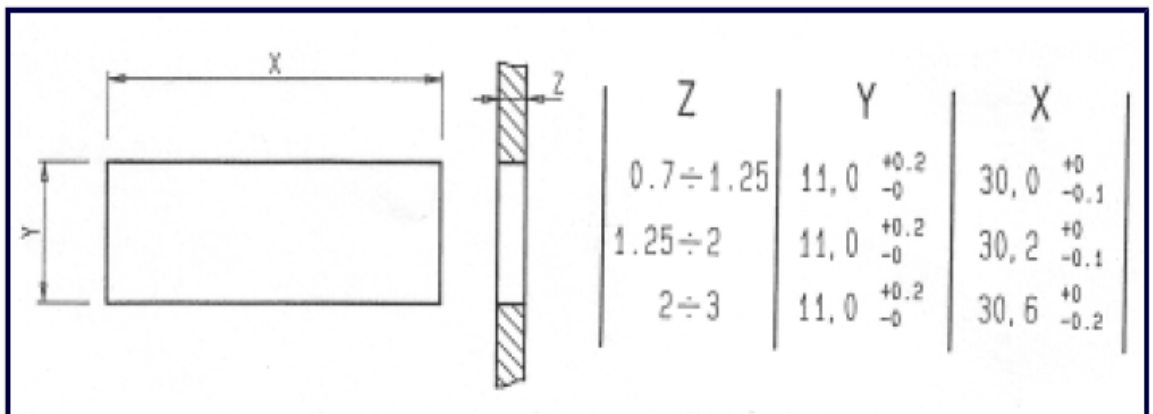
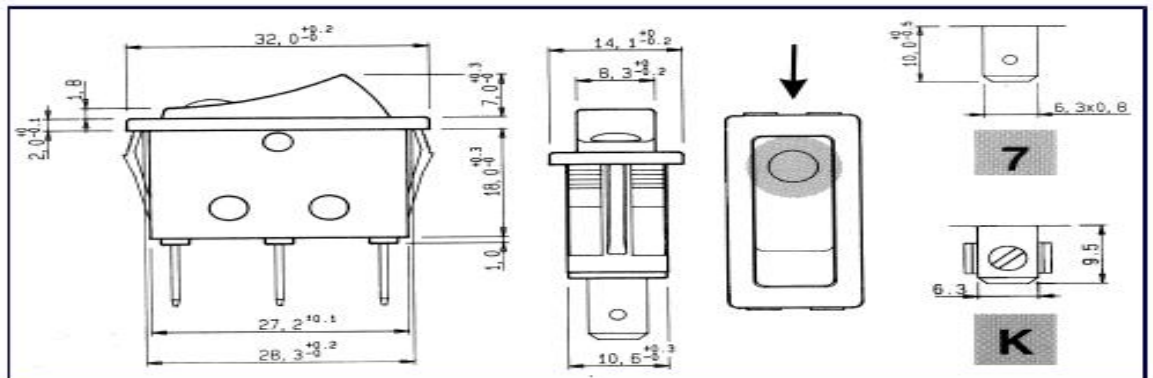
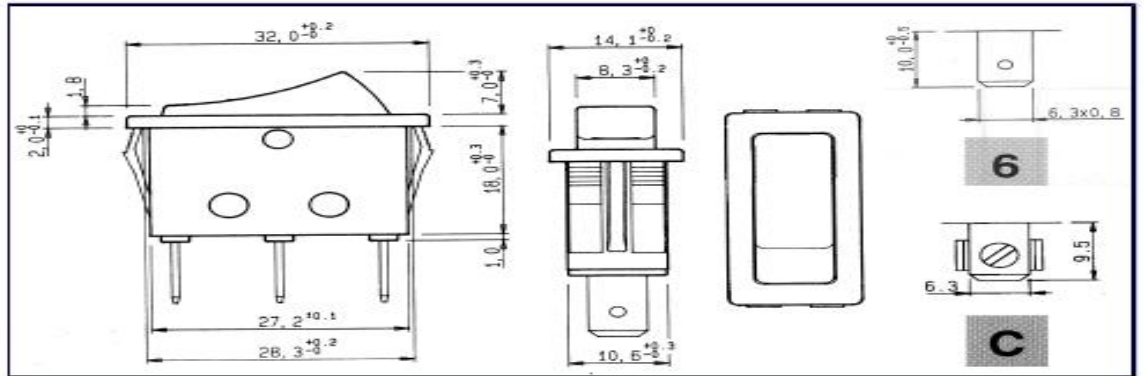
Typ I81

◀VDE▶

Norm ENEC

16(6) A 250V~10(4)A/250V -5E4 T125°

16A 250VAC 6A/250VAC T125°C



16 (6) A 250V~10 (4) A/250V -5E4 T125°

C

16 A 250VAC 6A/250VAC T125°C

Wippschalter

Typ IDK

◀VDE▶

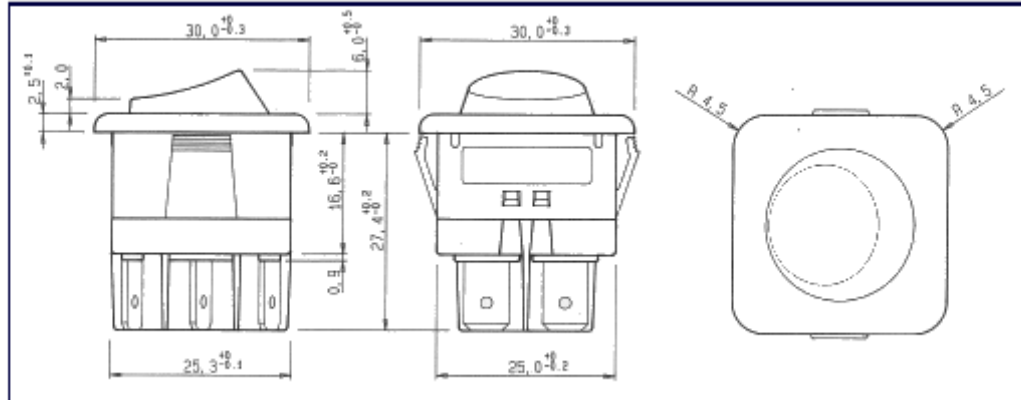
Norm ENEC



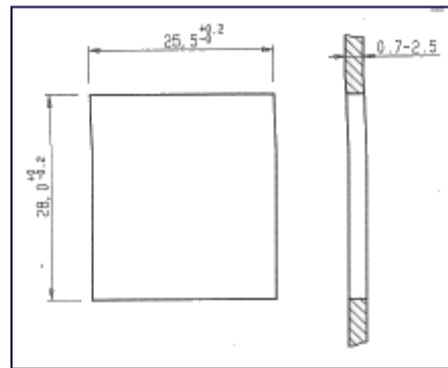
16A—6(6)A/ 250V~10A-4(4)A/250V
-5E4 T125



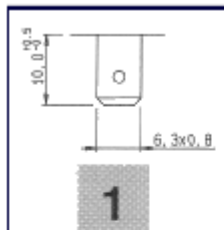
PLANO



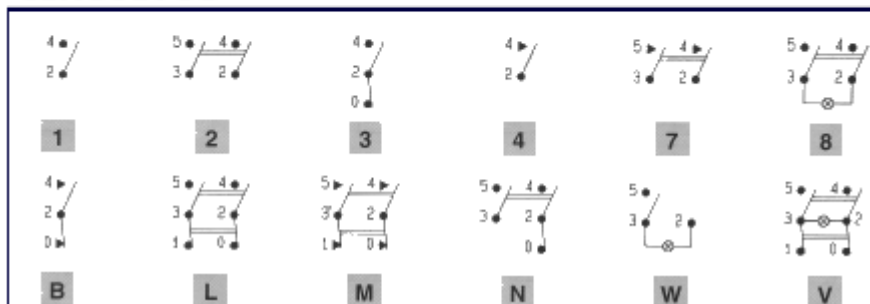
TALADRO



TERMINALES



CIRCUITOS



Wippschalter

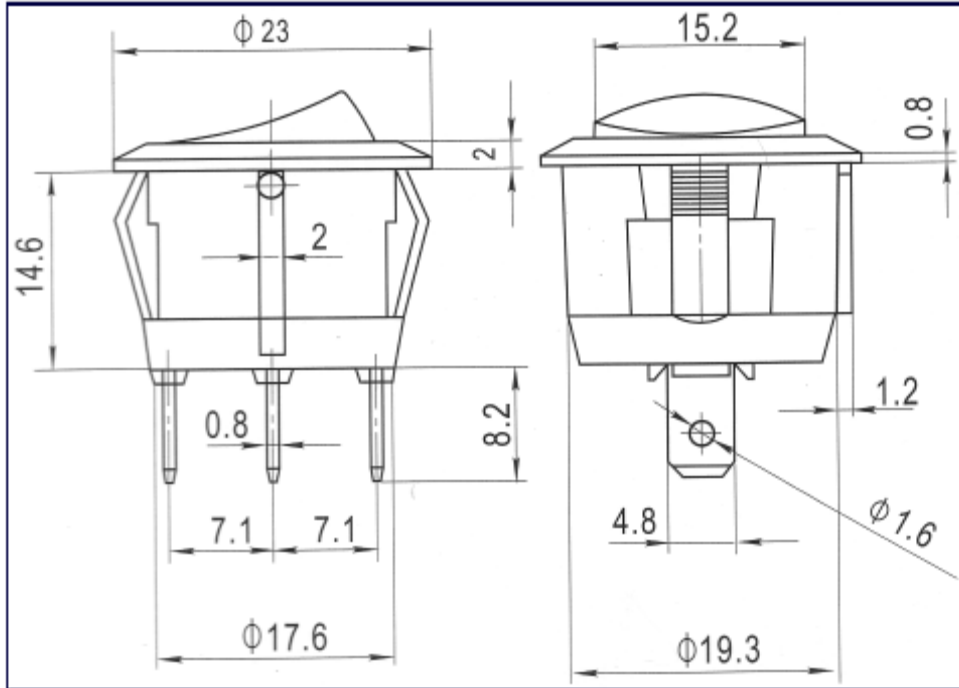
Typ IR

◀VDE▶

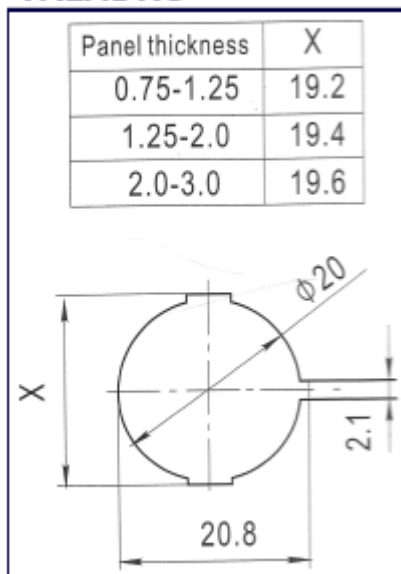
IR 6A 250VAC μ T85 1E4 6(2)A
 250VAC T125 10A 125VAC
 IR12(4) A250VAC; 6(4)A250VAC SE4
 16A125V/10A 250VAC 1/3HP 125-250
 VAC T105



PLANO



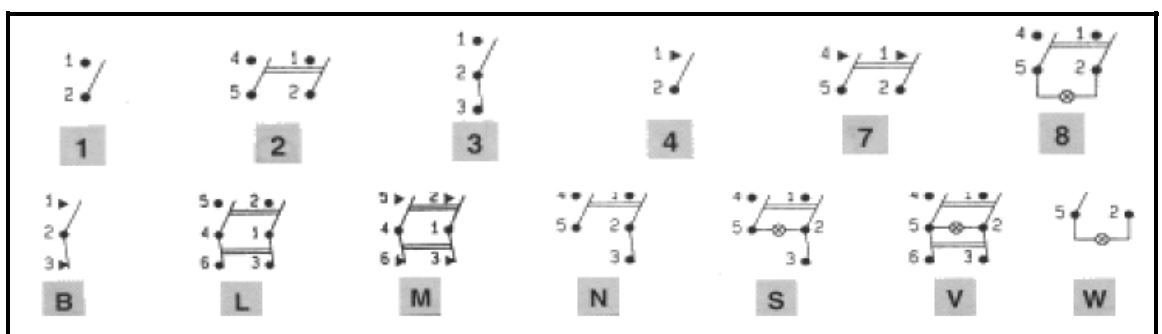
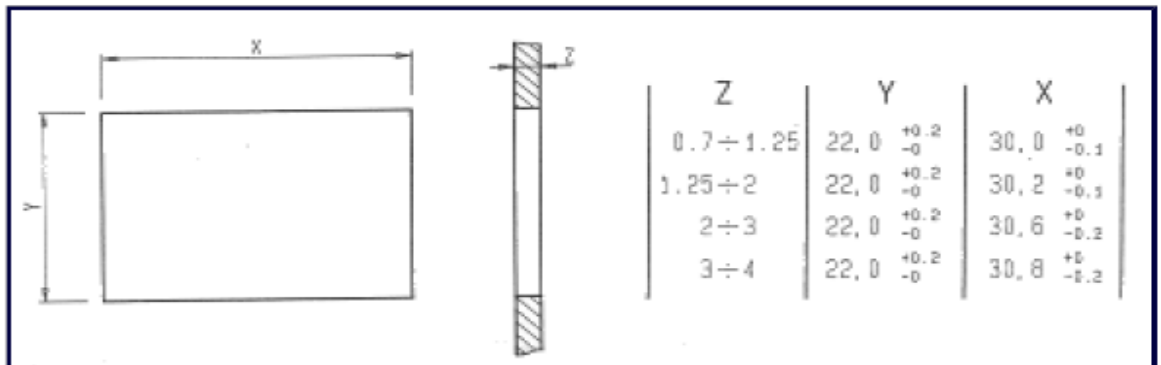
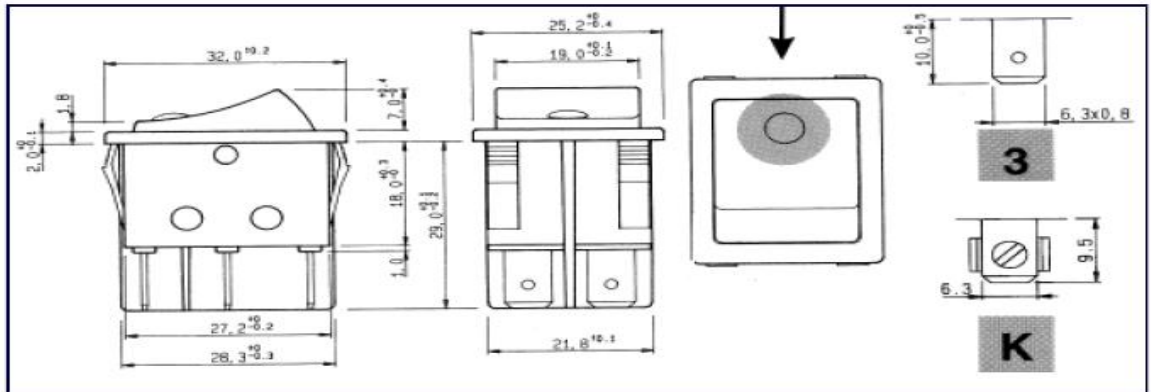
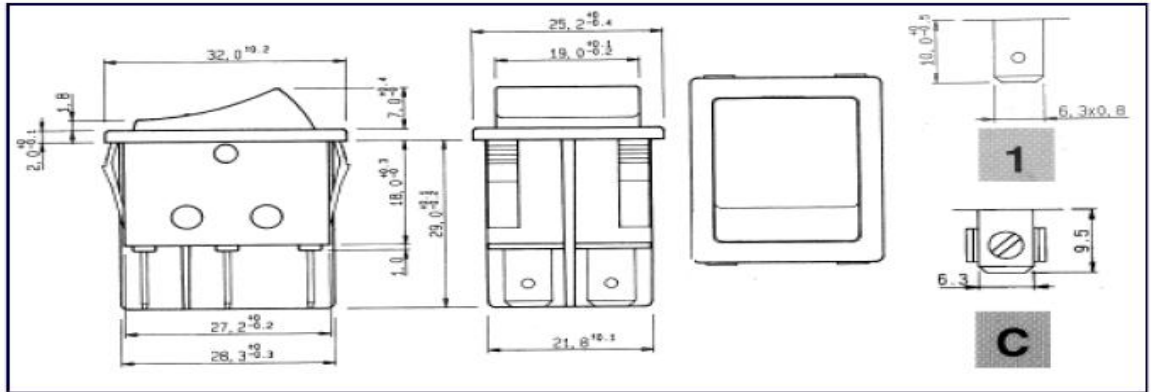
TALADRO



Wippschalter Typ I82

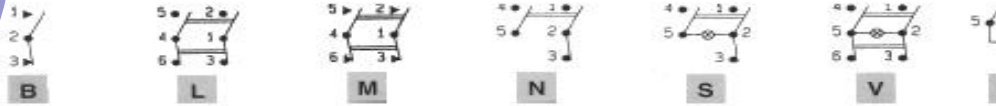
◀VDE▶

16(6) A 250V~10(4)A/250V T125



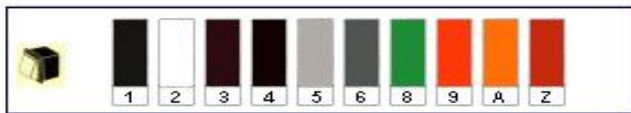
Wippschalter Typ I82

◀VDE▶

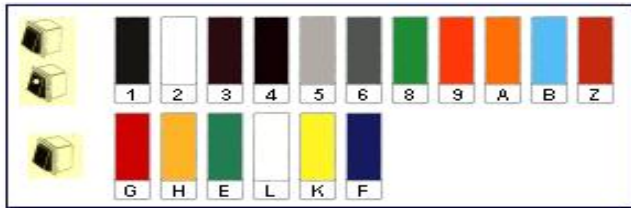


16 (6) A 250V~10 (4) A/250V -5E4 T125°C
16 A 250VAC 6A/250VAC T125°C

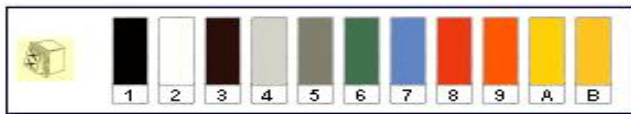
I 8 2 [] [] ? [] [] [] [] 0 0 0



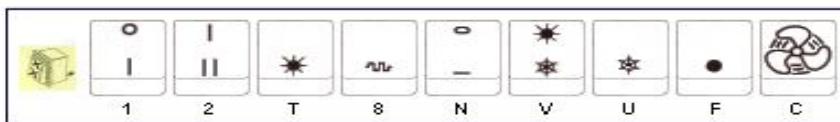
I 8 2 [] [] [] ? [] [] [] [] 0 0 0



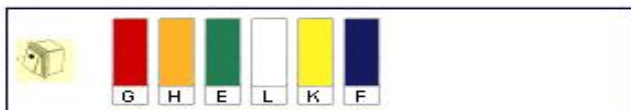
I 8 2 [] [] [] [] ? [] [] [] [] 0 0 0



I 8 2 [] [] [] [] [] ? [] [] [] [] 0 0 0



I 8 2 [] [] [] [] [] ? [] [] [] [] 0 0 0



Wippschalter Typ I83

◀VDE▶

16(6) A 250V~10(4)A/250V -5E4 T125
 16A 250VAC 6A/250VAC T125°C

